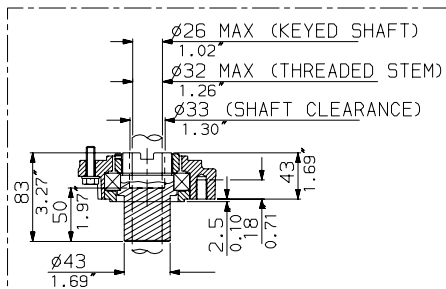
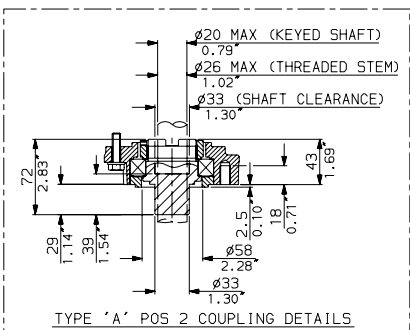


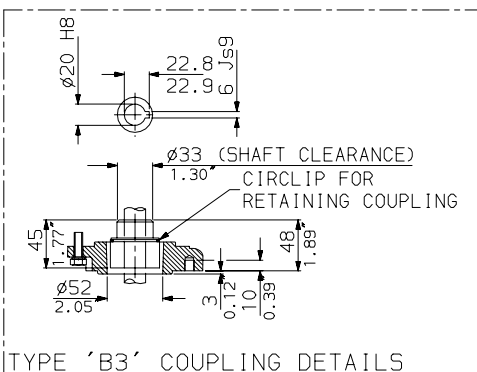
TYPE 'A' COUPLING DETAILS



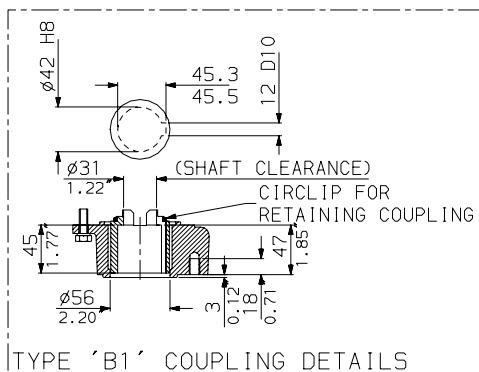
TYPE 'Z' COUPLING DETAILS



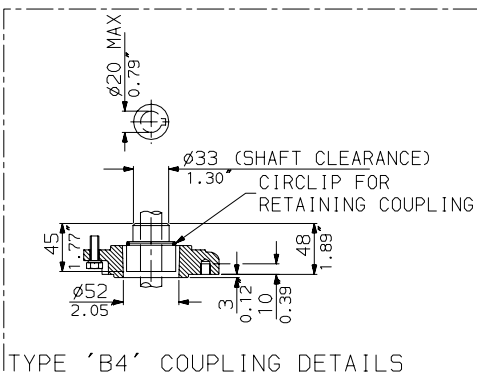
TYPE 'A' POS 2 COUPLING DETAILS



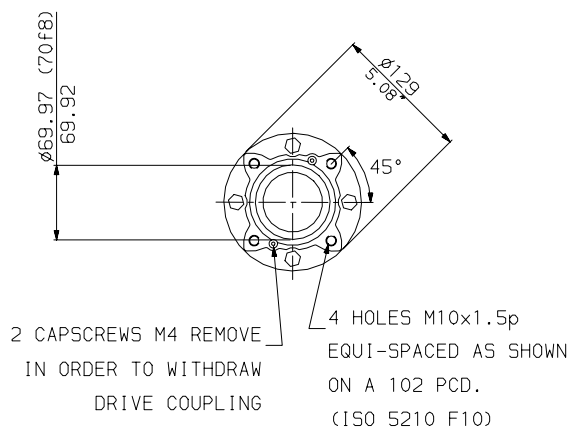
TYPE 'B3' COUPLING DETAILS



TYPE 'B1' COUPLING DETAILS



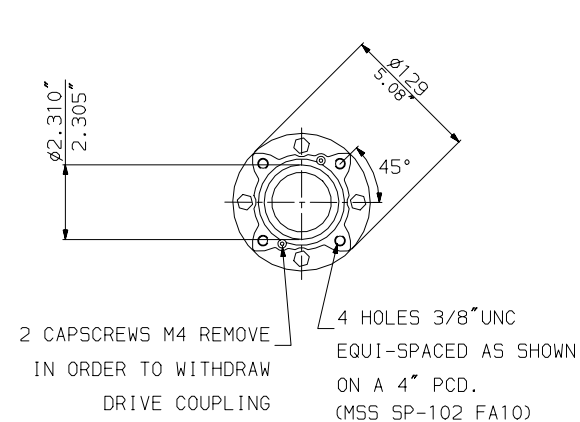
TYPE 'B4' COUPLING DETAILS



2 CAPSCREWS M4 REMOVE
IN ORDER TO WITHDRAW
DRIVE COUPLING

4 HOLES M10x1.5p
EQUI-SPACED AS SHOWN
ON A 102 PCD.
(ISO 5210 F10)

F10 BASE DETAILS
FOR 'A' & 'Z' COUPLINGS



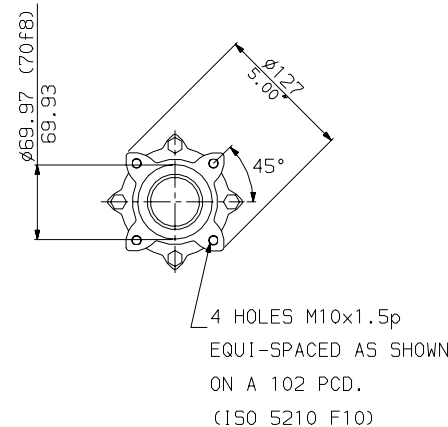
2 CAPSCREWS M4 REMOVE
IN ORDER TO WITHDRAW
DRIVE COUPLING

4 HOLES 3/8"UNC
EQUI-SPACED AS SHOWN
ON A 4" PCD.
(MSS SP-102 FA10)

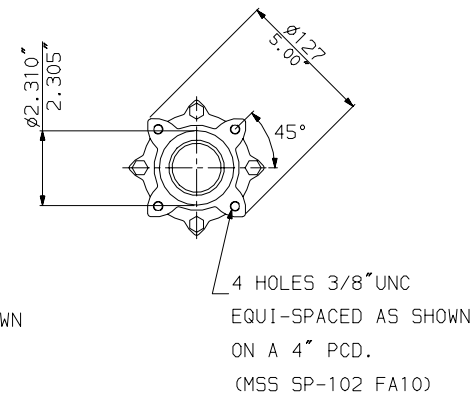
FA10 BASE DETAILS
FOR 'A' & 'Z' COUPLINGS

IQ10-18 THRUST BASES

IQ10-18 NON-THRUST BASES



F10 BASE DETAILS
FOR 'B' COUPLINGS



FA10 BASE DETAILS
FOR 'B' COUPLINGS