

AVK SINGLE ORIFICE AIR VALVE, PN16

701/30

The Series 701/30 is a large, single orifice air valve, suitable for use with potable and filtered water, to a maximum temperature of 70°C.

Features:

- Releases large volumes of air from pipelines up to 0.9 bar.
- Lightweight design.
- Corrosion resistant construction.
- WRAS approved.

Options:

- Butterfly isolating valve 2" – 8" sizes.
- Isolating gate valve.
- Bevel gearbox.
- Isolating ball valve 1" size only.
- 80mm NP 16 x 1" BSP female flange.
- 2" – 4" air valves available to PN40.
- Test point.
- Non-slam facility.



DN 50



The designs, materials and specifications shown are subject to change without notice due to our continuing programme of product development.

AVK SINGLE ORIFICE AIR VALVE, PN16

701/30

SERVICE CONDITIONS

Maximum Working Pressure: 16 bar.
 Temperature Range: -10°C to +70°C. Insulation essential for temperatures of 0°C and below.

TESTS

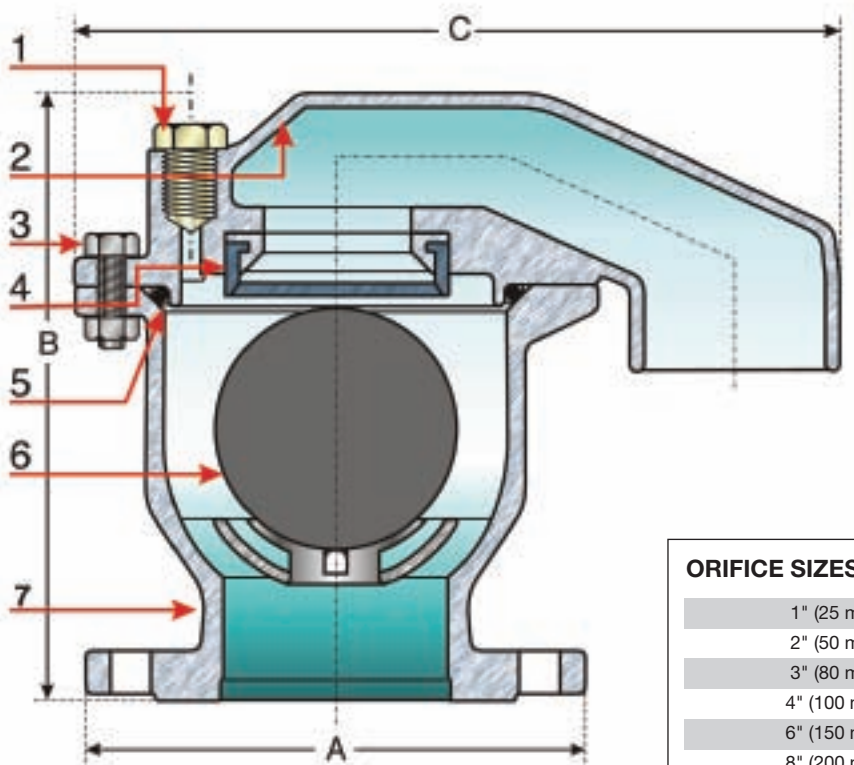
Hydraulic test.
 Seat: 1.0 x PN high. 0.2 bar low. Body: 1.5 x PN.

APPLICABLE STANDARDS

Inlet flange to BS EN 1092-2: 1997. WRAS approved.

MATERIALS OF CONSTRUCTION

No.	DESCRIPTION	MATERIAL
1	Plug	DZR brass to BS 2874 CZ 132.
2	Cover	Cast iron, GG-25, BS EN 1561 – GJL-HB-195.
3	Bolt Assembly	Steel zinc cobalt plated.
4	Nozzle	EPDM on DZR brass to BS 2874, CZ 132.
5	O Ring	BUNA-N.
6	Ball	Polycarbonate.
7	Body and Basket	Cast iron, GG-25, BS EN 1561 – GJL-HB-195.
	Coating	Electrostatically applied blue epoxy to WIS-4-52-01 Class B.



ORIFICE SIZES

1" (25 mm)	78.5 mm ²
2" (50 mm)	794 mm ²
3" (80 mm)	1809 mm ²
4" (100 mm)	3317 mm ²
6" (150 mm)	17662 mm ²
8" (200 mm)	31400 mm ²

DIMENSIONS & WEIGHTS

Ref Nos.	Size	A	B	C	Weight
		mm	mm	mm	kilos
701-025-30199003	1"(25mm)	N/A	195	130	3.5
701-050-30041003	2"(50mm)	165	243	160	8.5
701-058-30041003	2"+ 80 mm flange	200	243	160	11.4
701-080-30041003	3"(80mm)	200	255	286	17.5
701-100-30041003	4"(100mm)	220	287	342	27
701-150-30041003	6"(150mm)	285	530	553	77
701-200-30041003	8"(200mm)	340	530	553	116



AVK UK Limited

Northampton Office
 8 Rushmills, Northampton,
 NN4 7YB England, UK.
 Tel.: +44 (0) 1604 601188
 Fax.: +44 (0) 1604 604818

Chesterfield Office
 Colliery Close, Ireland Ind. Est., Staveley,
 Chesterfield, S43 3FH, England, UK.
 Tel.: +44 (0) 1246 479100
 Fax.: +44 (0) 1246 479200

www.avkuk.co.uk