

# AVK RECOIL HIGH PERFORMANCE NON SLAM CHECK VALVE, PN16

641/21

The Series 641/21 is a fast acting, multi-door, recoil swing check valve. Designed for use in systems where high velocities and fast returns of flow are evident. Suitable for use with potable water, raw water and sewage, to a maximum temperature of +70°C.

## Features:

- Metal seated valve with gunmetal body seats and gunmetal faced doors.
- Non slam operation.
- No additional damping required.
- By-pass bosses as standard.
- Epoxy coating.

## Options:

- PN25 version.
- By-pass.
- Limit/proximity sensors
- Alternative trim



The designs, materials and specifications shown are subject to change without notice due to our continuing programme of product development.

# AVK RECOIL HIGH PERFORMANCE NON SLAM CHECK VALVE, PN16

641/21

## TESTS AND STANDARDS

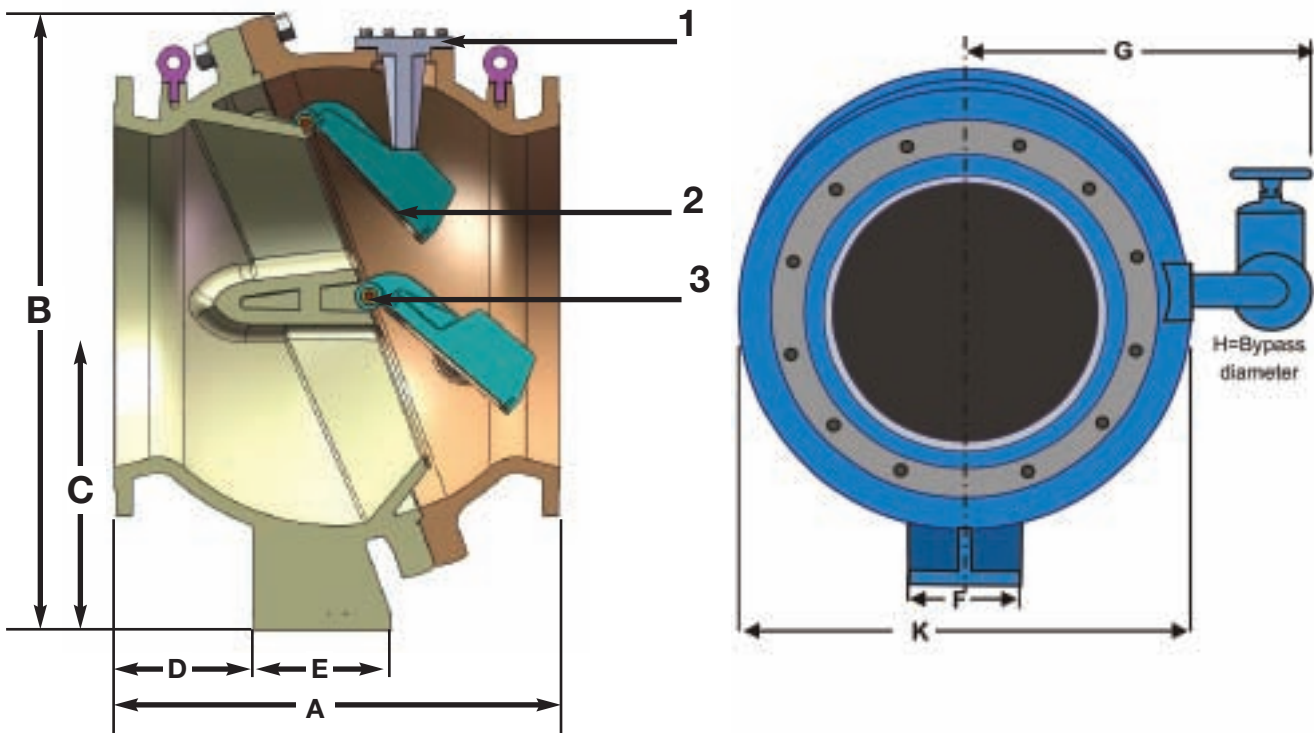
Hydrostatic test . Seat: 1.1 x PN Body: 1.5 x PN  
WRAS approved materials. Flanges and drilling to BS EN  
1092-2.

## SERVICE CONDITIONS

Maximum Working Pressure: 16 bar.  
Temperature Range: -10°C to +70°C. Insulation  
essential for temperatures  
of 0°C and below.

## MATERIALS OF CONSTRUCTION

No.	DESCRIPTION	MATERIAL
1	Body, Doors & Cover	Ductile iron BS EN 1563 EN-GJS-500/7.
2	Body and Door Seats	Gunmetal BS EN 1982 CC491.K
3	Spindles	Stainless steel to BS EN 10088 Gr 1.4305.
4	All Seals	EPDM.
5	Fasteners	Zinc plated carbon steel.



## DIMENSIONS, WEIGHTS & FLOWS

Ref no.	DN (mm)	A (mm)	B (mm)	C (mm)	D (mm)	E (mm)	F (mm)	G (mm)	H (mm)	K (mm)	Weight (kg)	No of doors	Flow Capacities @	
													3 m/sec (ltr/sec)	4 m/sec (ltr/sec)
641 0600 21100000	600	940	1270	670	370	250	300	890	80	1230	1950	2	895	1425
641 0700 21100000	700	1016	1387	735	373	260	300	1008	80	1342	2500	2	1130	1805
641 0800 21100000	800	1040	1490	780	360	320	320	1018	80	1455	2700	2	1540	2450
641 0900 21100000	900	1300	1800	930	470	360	360	1225	80	1795	3600	3	2005	3220
641 1000 21100000	1000	1400	1924	1000	520	360	360	1285	80	1915	4500	3	2360	3750
641 1200 21100000	1200	1500	2220	1160	530	440	440	1550	100	2195	6800	3	3560	5720
641 1400 21100000	1400	1700	2490	1300	595	510	510	1650	100	2475	9000	4	4510	7220
641 1600 21100000	1600	2000	2690	1400	710	580	580	1760	100	2685	10700	4	6150	9850



AVK UK Limited

**Northampton Office**  
8 Rushmills, Northampton,  
NN4 7YB England, UK.  
Tel.: +44 (0) 1604 601188  
Fax.: +44 (0) 1604 604818

**Chesterfield Office**  
Colliery Close, Ireland Ind. Est., Staveley,  
Chesterfield, S43 3FH, England, UK.  
Tel.: +44 (0) 1246 479100  
Fax.: +44 (0) 1246 479200

www.avkuk.co.uk